

parkmate HD

Premium OEM Style 4.3" Replacement Mirror Monitor



RVM-043A User Manual

Thank you for purchasing Parkmate's **RVM-043A** Premium OEM Style 4.3" Replacement Rear View Mirror Monitor. This state of the art Parkmate product is packed with features including a monitor embedded into the rear view mirror that automatically displays images from the optional rear-view camera upon selecting reverse gear.

This product uses the most advanced technology and components to provide you with a long service life and integrates perfectly with the factory look of your vehicle to add a high level of safety and security to your driving experience.

Please note: Although this product will allow you to view blind spots, it does not remove the responsibility of driving the vehicle from the driver. The legal responsibility and safe driving practice remains with the driver at all times.

You have purchased this Parkmate product with the understanding that its use is as an aid only. We highly recommend that you have this product professionally installed to ensure that it will provide the functions it is set out to perform.

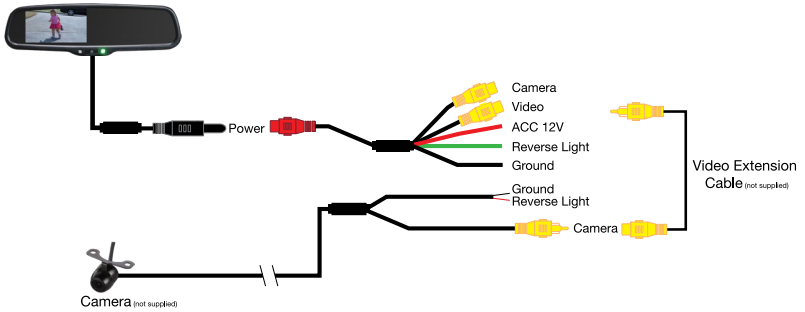
Designed to replace the original rear view mirror of your vehicle, Parkmate's **RVM-043A** Mirror Monitor features a high resolution 4.3" LCD panel embedded into the mirror that captures the area not visible to standard rear-view mirrors when fitted with an optional Parkmate rear view camera.

SPECIFICATIONS

Screen Size	4.3"
Display Screen	TFT-LCD
Display Resolution	480(h) x 272(v)
Aspect Ratio	16:9
Power consumption	6W
Working Voltage	DC 12V
Video Input	Video-In (e.g. GPS / DVD (default) + Reverse Camera-In
Signal System	PAL / Auto / NSTC

WIRING OPTIONS

Connect the Rear View Mirror Monitor to the supplied harness and the supplied harness to the wiring of the car as instructed in the below image:



PLEASE NOTE: CAMERA IS NOT SUPPLIED. IF YOU HAVE PURCHASED A REVERSE CAMERA PLEASE FOLLOW THE INSTALLATION INSTRUCTIONS THAT WERE SUPPLIED WITH THE CAMERA AS THE ABOVE IMAGE IS ONLY A GUIDE.

1. When the rear view mirror monitor is "Powered On" and displaying a video source other than the reverse camera, and reverse gear is then engaged, the system automatically switches from video source to reverse camera video. When reverse gear is disengaged the system switches back automatically.
2. When the rear view mirror monitor is "Powered-Off" and the reverse gear is engaged, the system automatically switches to the camera signal and displays reverse camera video. When reverse gear is disengaged the system switches off automatically.
3. The button in the middle of the rear view mirror is the POWER button.
 - a) When reverse gear is engaged or when displaying the camera source, press the POWER button to adjust the back-light of the monitor.
 - b) When the monitor is in video mode, the POWER button is used to turn the monitor on and off.

HOW TO INSTALL RVM-043A REAR VIEW MIRROR

Your Parkmate RVM-043A mirror monitor comes bundled with a generic mounting bracket to fit to your original windscreen mirror base. You will need to remove your original mirror and replace it with the supplied RVM-043A mirror and bracket to install this product.



Mirror Monitor Bracket



Base on windscreen

Note: While the mirror in some vehicles is easy to remove, in some it may be a difficult process. If you find it difficult to remove your factory installed rear-view mirror, please do not force it as you could break your windscreen. In the case of difficult mirror removal, we recommend you seek a professional to dismantle the original rear view mirror.

HOW TO CHANGE BASE & INSTALL RVM-043A REAR VIEW MIRROR ON WINDSCREEN

Mount the mirror to your windscreen bracket as shown.

If the Mirror Monitor does not fit your original windscreen mirror base, you may need to fit the universal base that comes bundled with this product.



Note: it is not advised to remove or change the windscreen mounting base yourself as there is a high risk of damage to your windscreen. Always seek professional help in removing your original windscreen mirror base and fitting the supplied base.

HIGHLY REFLECTIVE MIRROR

Clear rear view displayed on highly reflective mirror



Highly Reflective Mirror



Regular Mirror

OPTIONAL REVERSE CAMERA

When you engage the reverse gear, the rear-view monitor will automatically display the (optional) reverse camera.



Not in reverse



In reverse

Note: Grid line feature is dependant on (optional) reverse camera

PRECAUTIONS FOR USE OF MIRROR MONITOR

1. The Mirror monitor is made of glass. Do not subject it to a mechanical shock by dropping it from a high place, etc.
2. Do not apply excessive force to the monitor surface or to the adjoining areas as this may cause the colour tone to vary.
3. Do not attempt to disassemble the mirror monitor. Doing so will void all warranties.
4. When cleaning the mirror monitor, spray glass cleaner directly onto a paper towel or similar material. Do not spray glass cleaner directly onto the mirror monitor as this can result in damage to circuitry. Clean residue with a soft dry cloth.

SAFETY

1. A rear view camera display is only a visual assistance device when reversing the vehicle. Images displayed on the screen may be different from actual conditions. Always physically inspect conditions and drive carefully.
2. Reverse your vehicle as slow as possible. High speeds can limit your reaction time to stop your vehicle.
3. The displayable range of input devices including cameras can vary depending on vehicle loads and road conditions.
4. Do not use a rear view camera system with the tailgate open.
5. Objects under or around the bumper cannot be displayed when the system is used with a rear view camera.

Australian Residents - Warranty Terms & Conditions:

Our goods come with guarantees that cannot be excluded under the Australian Consumer Law. You are entitled to a replacement or refund for a major failure and for compensation for any other reasonably foreseeable loss or damage. You are also entitled to have the goods repaired or replaced if the goods fail to be of acceptable quality and the failure does not amount to a major failure.

This warranty is provided in addition to your rights under the Australian Consumer Law.

Directed Electronics warrants that this product is free from defects in material and workmanship for a period of 12 months from the date of purchase or for the period stated on the packaging. This warranty is only valid where you have used the product in accordance with any recommendations or instructions provided by Directed Electronics.

This warranty excludes defects resulting from alterations of the product, accident, misuse, abuse or neglect.

In order to claim the warranty, you must return the product to the retailer from which it was purchased or if that retailer is part of a National network, a store within that chain, along with satisfactory proof of purchase. The retailer will then return the goods to Directed Electronics. Directed Electronics will repair, replace or refurbish the product at its discretion. The retailer will contact you when the product is ready for collection. All costs involved in claiming this warranty, including the cost of the retailer sending the product to Directed Electronics, will be borne by you.

Directed Electronics Address: 44 Translink Drive, Keilor Park Victoria Australia 3042

Ph: +61 03 8331 4800

Email: returns@directed.com.au

To view the complete Parkmate range or for details on how to contact us, please visit our website at www.parkmate.com.au
